



Town of Christiansburg Department of Parks and Recreation
1600 North Franklin Street
Christiansburg, Virginia 24073

PH: (540) 382-2349
FAX: (540) 381-5537



Town of Christiansburg Department of Parks and Recreation Soccer Goal Safety Policy

The Town of Christiansburg Department of Parks and Recreation has created the following policy that will be in effect as of June 2013 and beyond for all Town of Christiansburg athletic facilities.

Objective:

To establish a policy that will provide all coaches, parents, and administrators participating in leagues associated with and/or using facilities maintained by the Town of Christiansburg Department of Parks and Recreation with guidelines relating to proper soccer goal anchoring guidelines as well as rules concerning field usage where movable soccer goals are placed.

Introduction:

This policy presents guidelines for the use and storage of full-size or nearly full size moveable soccer goals. The Town of Christiansburg Department of Parks and Recreation believes these guidelines can help prevent deaths and other serious injuries resulting from soccer goal tip overs and unnecessary movement while being used on soccer fields.

Design/Construction Guidelines:

While a moveable soccer goal appears to be a simple structure, a movable soccer goal should be constructed with counterbalancing measures incorporated into the product. The stability of a movable soccer goal depends on several factors. One effective strategy for supplementing the counterbalancing measures incorporated into the product is lengthening the overall depth of the goal to effectively place more weight further from the goal's front posts (more weight at the back of the goal). A second design selects lightweight materials for the goal's front posts and crossbar and provides much heavier materials for the rear stability bar and frame members. This tends to counterbalance the forces working to tip the goal forward.

Anchoring/Securing/Counterweighing Safety Guidelines:

According to the U.S. Consumer Product Safety Commission (CPSC), a properly anchored/ counterweighted movable soccer goal is much less likely to tip over. Accordingly, it is IMPERATIVE that ALL movable soccer goals are always anchored and that they are secured to the ground, making sure the anchors are flush with the ground and clearly visible.

There are several different ways to anchor a movable soccer goal. The type of anchors used will depend on a number of factors, such as soil type and playing surface (synthetic turf or natural grass) and total goal weight.

The type of anchors recognized by the Town of Christiansburg Department of Parks and Recreation include but are not limited to: ground anchoring, sandbags or other counterweights and stability bars.

Moving and Securing Movable Soccer Goals; Warnings:

Prior to the commencement of the soccer season each year, the Town of Christiansburg Department of Parks and Recreation and/or Soccer Association Administrators will place and secure movable soccer goals on its property according to safety guidelines. Only authorized personnel of the Town of Christiansburg Department of Parks and Recreation and/or approve Soccer Association Administrators or designees shall be permitted to move any movable soccer goal that the Town owns, installs, or is placed on its property. Thereafter, if a movable soccer goal becomes unanchored or improperly secured, only authorized personnel shall be permitted to re-secure it in accordance with safety guidelines. **Any violation of these warnings, or any individual or team found moving secured and anchored goals from their original locations set by the Town of Christiansburg Department of Parks and Recreation and/or Soccer Association Administrators will be cause for immediate termination of field privileges and may be a basis for denial in the future.**

A warning label such as the following shall be posted on all movable soccer goals:

ONLY AUTHORIZED PERSONNEL MAY MOVE AND ANCHOR THIS GOAL. IF THIS GOAL IS NOT ANCHORED, DO NOT USE IT AND CONTACT: THE TOWN OF CHRISTIANBURG DEPARTMENT OF PARKS AND RECREATION AT (540) 382-2349 OR (540) 239-4007. SERIOUS INJURY INCLUDING DEATH CAN OCCUR IF IT TIPS OVER.

Routine Inspections:

The Town of Christiansburg Department of Parks and Recreation and/or Soccer Association Administrators shall routinely check all movable soccer goals that it has installed on its property or being used in their Association to ensure each one is properly anchored. These inspections will be done on a weekly basis during the soccer playing season (spring/fall). A written record of each safety inspection shall be completed and filed at the Town of Christiansburg Department of Parks and Recreation and/or Soccer Association Administrators.

Permitted User Inspections, Placement in a Non-Use Position:

As a condition of the use of property, permitted users shall make a physical inspection of each movable soccer goal, both before and after any soccer related activity to assure that the goal is secure in accordance with the Safety Guideline. If any movable soccer goal is not properly secured, the user (with assistance of adults 18 and older) should place the goal in a non-use position by laying it forward onto its front bars and crossbar and shall notify the Town of Christiansburg Department of Parks and Recreation and/or Soccer Association Administrators immediately. Under no circumstance shall a practice or a game be played on a field where a movable soccer goal has been deemed unsecure.

Safety Tips: Even well designed and counterbalanced goals are subject to tip over incidents. Additional steps may be taken to further reduce the risk of injury. The Town of Christiansburg

Department of Parks and Recreation encourages coaches, referees and league officials affiliated with each practice or game to:

- Check the structural integrity and proper connecting hardware before every use.
- Report damages or missing parts or fasteners immediately and do not use damaged or improperly anchored/secured goals.
- Not allow anyone to climb on the net or goal frameworks.
- Instruct players on the safe handling of and potential dangers associated with movable soccer goals.

Removals – End of Season:

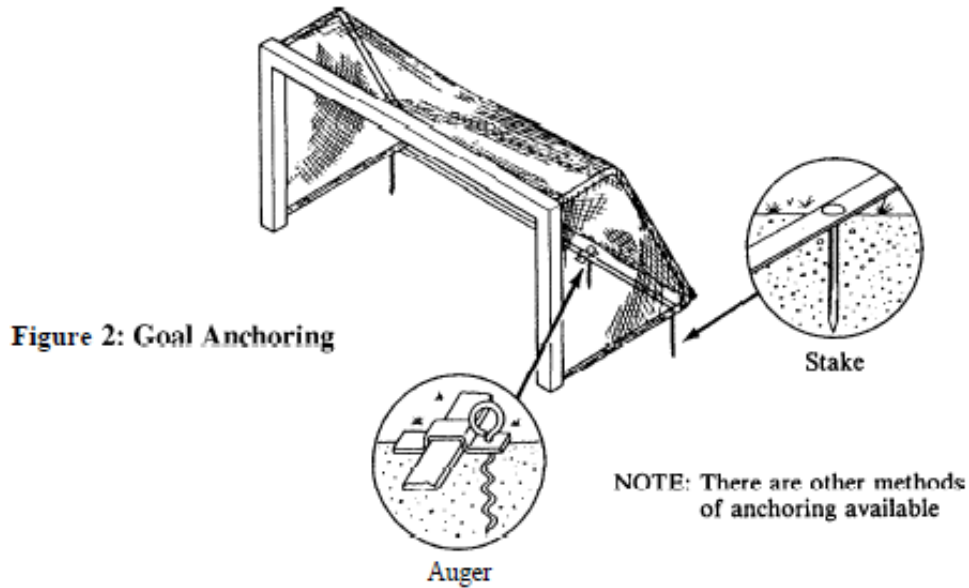
At the conclusion of each soccer season (spring/fall), the Town of Christiansburg Department of Parks and Recreation and/or Soccer Association Administrators will either remove all soccer goals it has placed on its property for storage in a secure location, or otherwise secure such goals by removing the nets and placing the goal frames face to face (front posts and crossbars facing toward each other) and securing them at each goalpost with a lock and chain; or fully disassembling the goals for season storage.

Acquisition of Tip-Resistant Movable Soccer Goals:

After the effective date of this policy, Town of Christiansburg Department of Parks and Recreation will not purchase a movable soccer goal whose inside measurements are 6.5 to 8 feet high and 18 to 24 feet wide unless it is tip resistant and comes equipped with a counter-balance or stabilizer bar or other design-feature approved by the U.S. Consumer Product Safety Commission. Notwithstanding the foregoing provisions, the Town of Christiansburg Department of Parks and Recreation may continue to use its existing goals in a manner consistent with this policy.

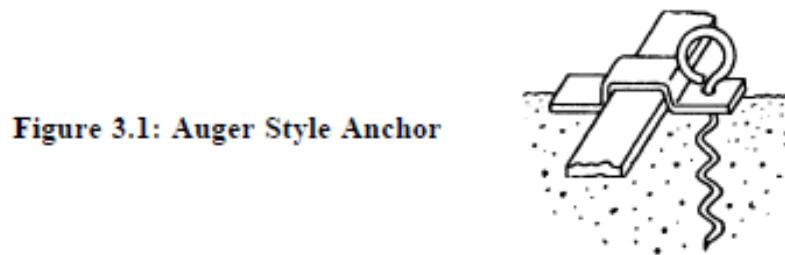
SOCCER GOAL POLICY – ATTACHMENT 1

Illustrations and Recommendations according to the U.S. Consumer Product Safety Commission



1. Auger style

This style anchor is “helical” shaped and is screwed into the ground. A flange is positioned over the ground shoes (bar) and rear ground shoe (bar) to secure them to the ground. A minimum of two auger-style anchors (one on each side of the goal) are recommended. More may be required, depending on the manufacturer’s specifications, the weight of the goal, and soil conditions.



2. Semi-Permanent

This anchor type is usually comprised of two or more functional components. The main support requires a permanently secured base that is buried underground. One type (3.2a) of semi-permanent anchor connects the underground base to the soccer goal by means of 2 tethers. Another design (3.2b) utilizes a buried anchor tube with a threaded opening at ground level. The goal is positioned over the buried tube and the bolt is passed through the goal ground shoes (bar) and rear ground shoe (bar) and screwed into the threaded hole of the buried tube.

Figure 3.2a: Semipermanent Anchor

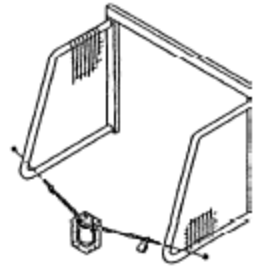
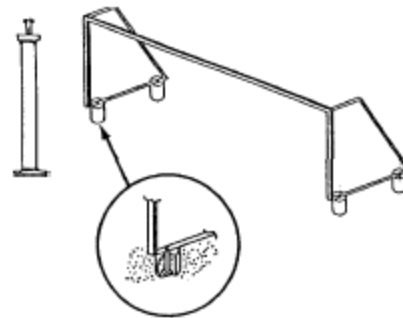


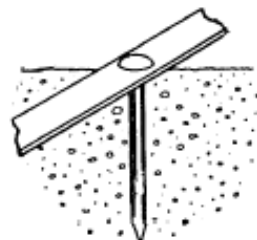
Figure 3.2b: Semipermanent Anchor



3. Peg or Stake Style (varying lengths) Anchor

Typically two to four pegs or stakes are used per goal (more for heavier goals) (Figure 3.3). The normal length of a peg or stake is approximately 10 inches (250mm). Care should be taken with installing pegs or stakes. Pegs or stakes should be driven into the ground with a sledge-hammer as far as possible and at an angle if possible, through available holes in the ground shoes (bar) and rear ground shoe (bar) to secure them to the ground. If the peg or stake is not flush with the ground, it should be clearly visible to persons playing near the soccer goal. Stakes with larger diameters or textured surfaces have greater holding capacity.

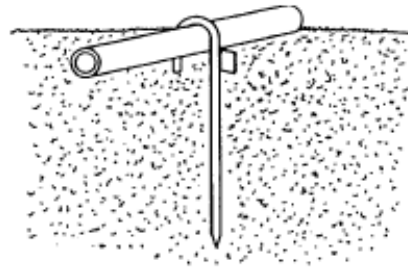
Figure 3.3: Peg or Stake Style Anchor



4. J-Hook Shaped Stake Style

This style is used when holes are not pre-drilled into the ground shoes (bars) or rear ground shoe (bar) of the goal. Similar to the peg or stake style, this anchor is hammered, at an angle if possible, directly into the earth. The curved (top) position of this anchor fits over the goal member to secure it to the ground (Figure 3.4). Typically, two to four stakes of this type are recommended (per goal), depending on stake structure, manufacturers specifications, weight of goal, and soil conditions. Stakes with larger diameters or textured surfaces have greater holding capacity.

Figure 3.4: J-Hook Anchor



5. Sandbags/Counterweights

Sandbags or other counterweights could be an effective alternative on hard surfaces, such as artificial turf, where the surface cannot be penetrated by a conventional anchor (i.e., an indoor practice facility) (Figure 3.5). The number of pegs or weights needed will vary and must be adequate for the size and total weight of the goal being supported.

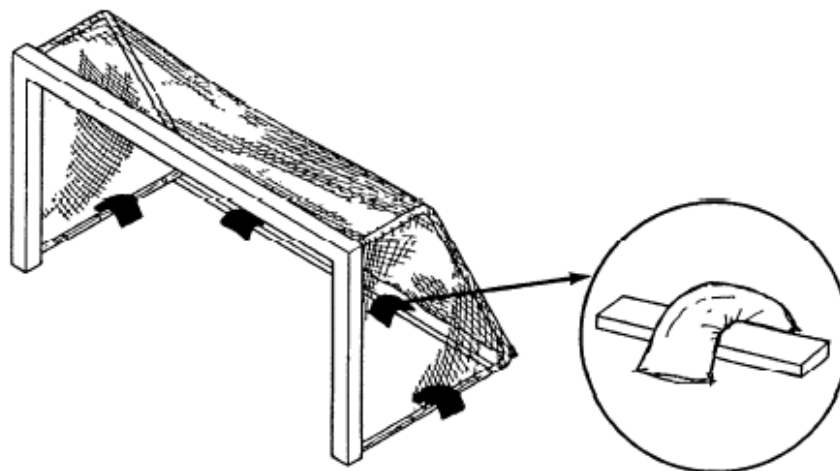


Figure 3.5: Sandbag Method of Anchoring

(Rear) Ground Bar/Shoe

TOWN OF CHRISTIANBURG DEPARTMENT OF PARKS AND RECREATION

NOTICE

[INSERT DATE]

TO WHOM IT MAY CONCERN: All Soccer Association Administrators, coaches, parents and guardians of soccer players:

One of our primary objectives is that children have safe recreation areas. To that end, soccer goals should remain securely anchored to the ground and nets firmly attached to the goals.

In an effort to keep the goals and nets secure and children safe, you are required to advise your children/soccer players and any other person accompanying you for whom you are responsible that the following is strictly prohibited: moving any soccer goals and any use of a soccer goal that is inconsistent with soccer-related activity, including without limitation, playing, climbing, or hanging on any part of the soccer goal. This especially applies to children climbing on or hanging from nets or goal frames. According to the U.S. Consumer Product Safety Commission, these activities can result in serious injury, including death.

If you observe any child inappropriately using a soccer goal or net, immediately and politely ask the child to stop. If the activity continues, please notify a Soccer Association Administrator, coach or referee as soon as possible. Players violating this rule may be forced to sit out, at the coach's discretion.

Finally, if you see any soccer goal that is not anchored down or any net that is not firmly secured to the goal, please notify the Town of Christiansburg Department of Parks and Recreation and/or Soccer Association Administrators immediately.

Sincerely,

Town of Christiansburg Department of Parks and Recreation