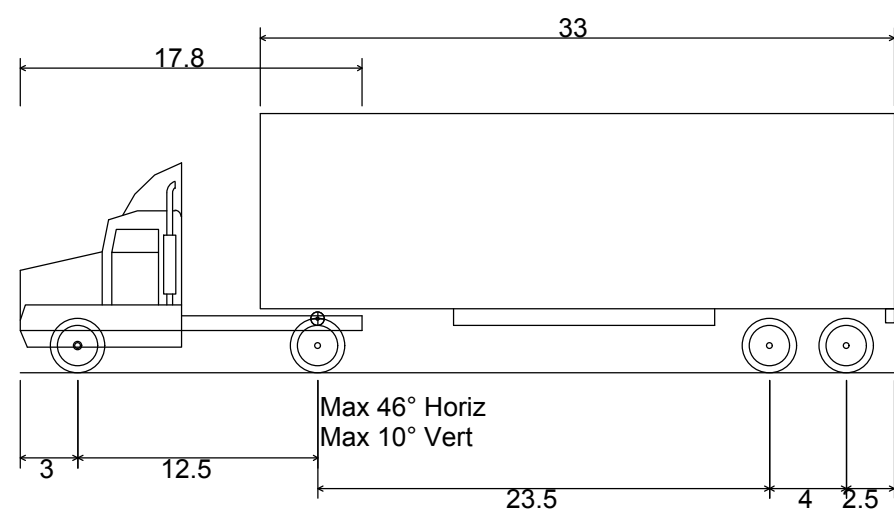
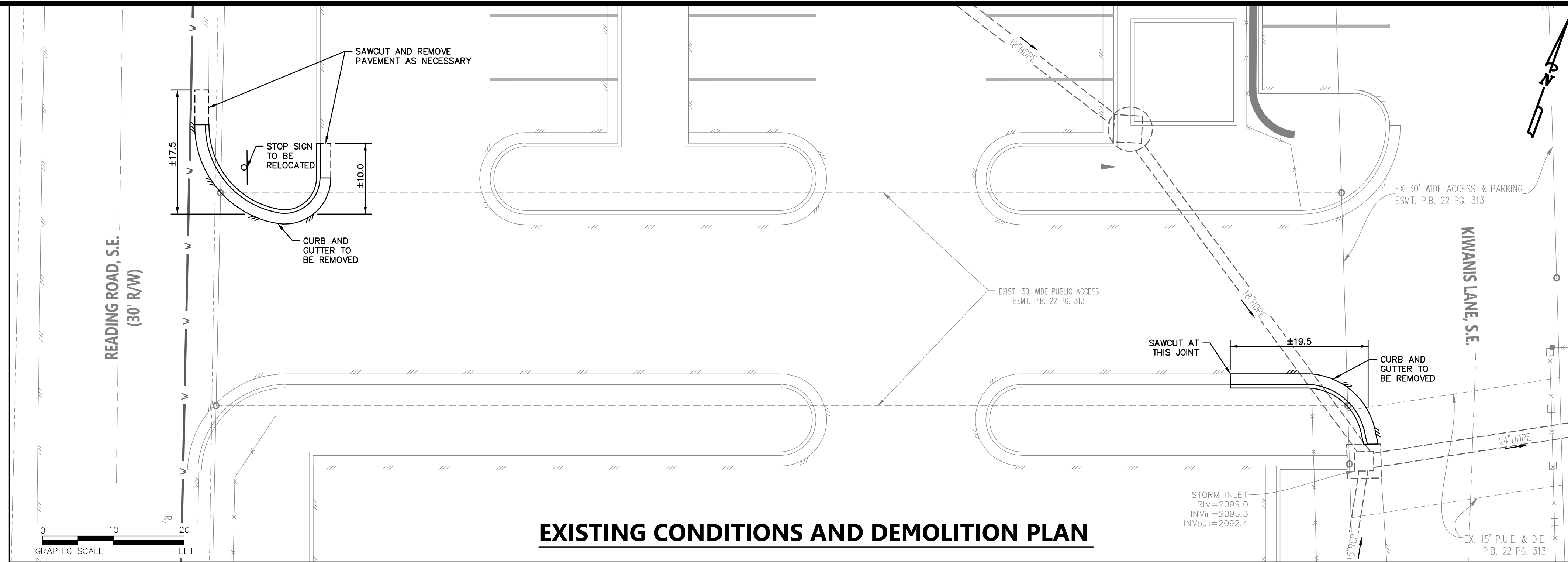


VICINITY MAP:
SCALE: 1"=1000'

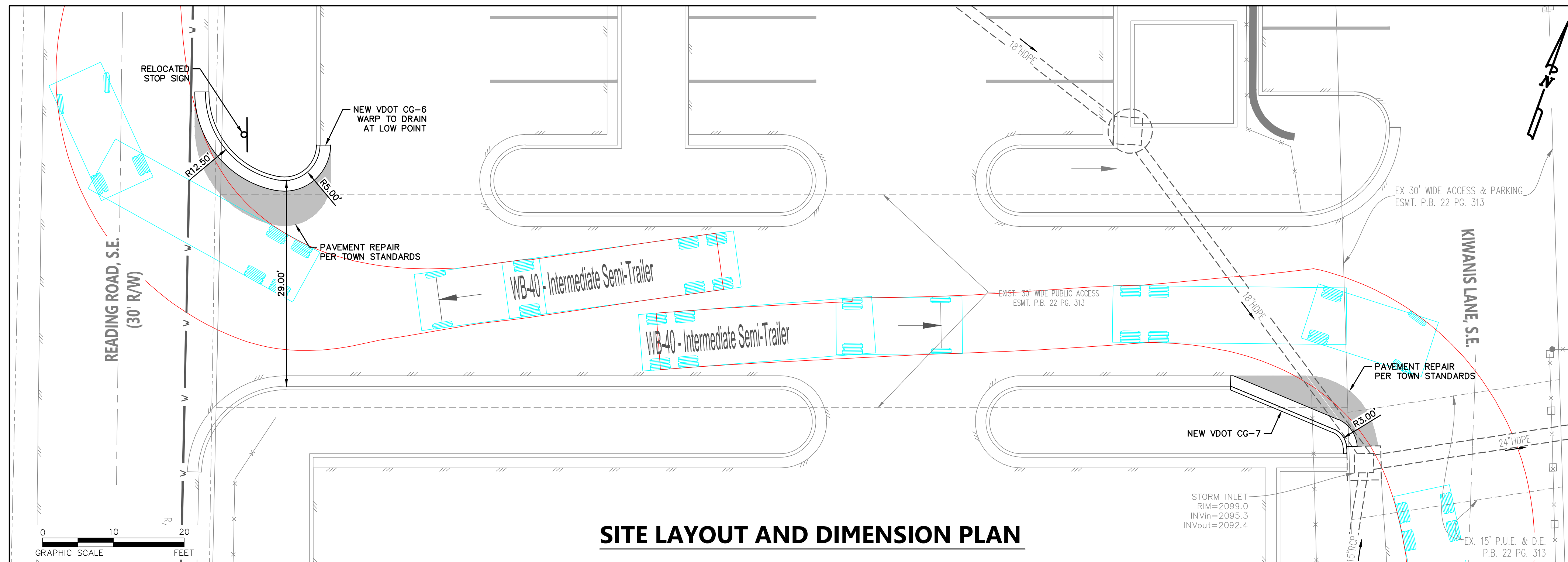


WB-40 - Intermediate Semi-Trailer
 Overall Length 45.499ft
 Overall Width 8.000ft
 Overall Body Height 13.500ft
 Min Body Ground Clearance 1.334ft
 Track Width 8.000ft
 Lock-to-lock time 4.00s
 Max Steering Angle (Virtual) 20.30°

SWEPT PATH ANALYSIS VEHICLE



EXISTING CONDITIONS AND DEMOLITION PLAN



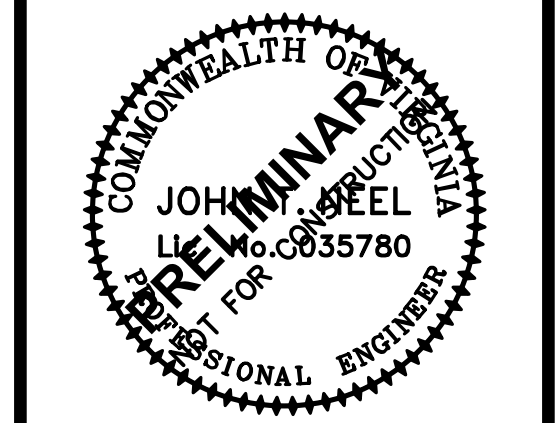
SITE LAYOUT AND DIMENSION PLAN

GAY AND NEEL, INC.
 ENGINEERING • LAND PLANNING • SURVEYING
 1260 Radford Street
 Christiansburg, Virginia 24073
 Phone: (540) 381-6011
 Fax: (540) 381-2773
 Email: info@gayandneel.com
 Web: www.gayandneel.com

The drawing, design, and digital files relating to this project are the property of Gay and Neel, Inc. The reproduction, copying, or other use of this drawing without GNI's written consent is prohibited.

KIVANIS LANE CURB MODIFICATIONS

CHRISTIANSBURG, VIRGINIA



REVISIONS		
NO.	COMMENTS	DATE

PROJECT TEAM	
PIC	JOHN T. NEEL, PE
PM	BRYANT H. ALTIZER, PE, LS
DESIGN	ZJM
ISSUE DATE	
06/28/2021	
GNI JOB NO.	
3256	
SHEET TITLE	
SITE PLAN	
SHEET NUMBER	
C2-01	

APPROVED: Engineering _____ Date _____
 APPROVED: Planning _____ Date _____

X:\Drawings\2021\Engineering\Site\Drawings\Sheets\2206_Site_C2_Site_Layout_Plan.dwg
 C2-01 SITE PLAN 06/28/2021 10:32:27 AM Zmoeck AutoCAD PLOT (General Documentation) p3, 1:1