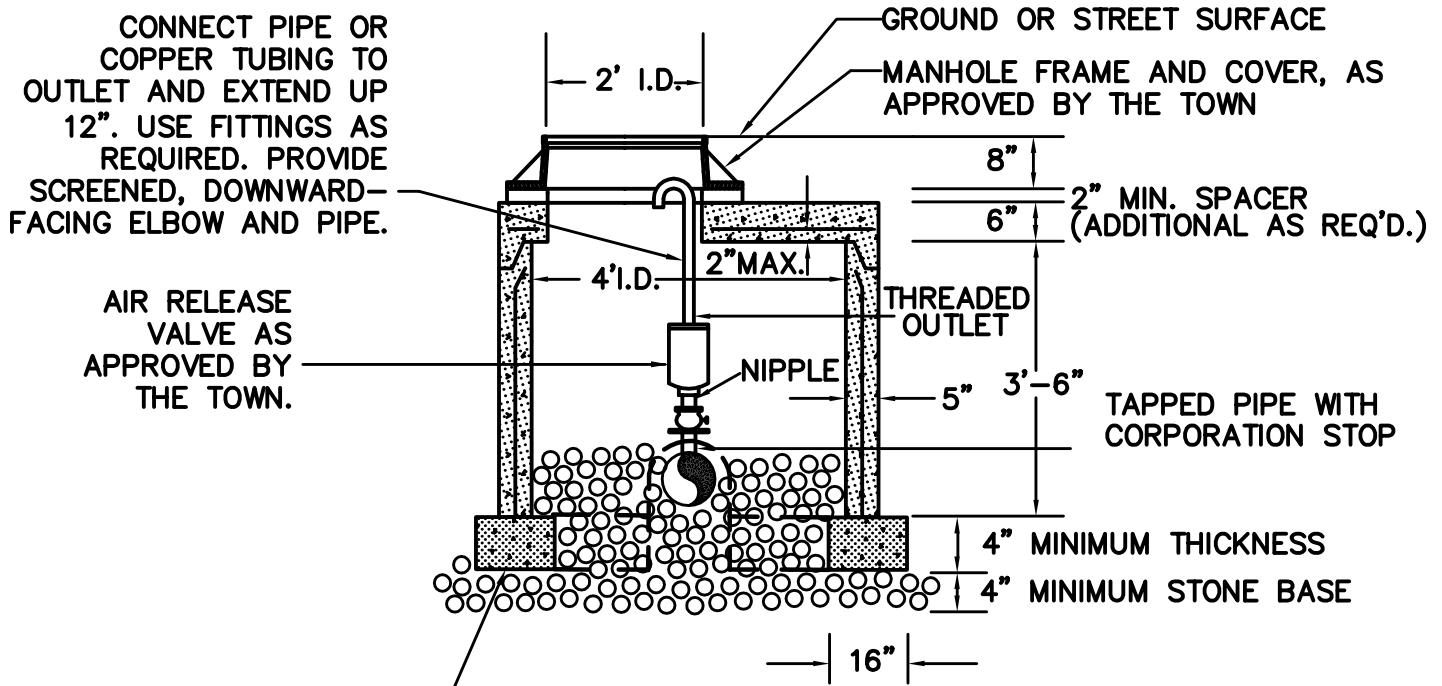


NOTES:

1. MANHOLE MATERIALS AND FABRICATION IN ACCORDANCE WITH ASTM C478.
2. SIZE OF AIR RELEASE VALVE AND SIZE OF TAP AS SPECIFIED ON PLANS.
3. THIS DETAIL SHALL NOT BE USED IN AREAS OF HIGH GROUNDWATER. IF EVIDENCE OF HIGH GROUNDWATER IS FOUND DURING CONSTRUCTION, THE INSPECTOR SHALL BE NOTIFIED FOR FURTHER GUIDANCE.



CONNECT PIPE OR COPPER TUBING TO OUTLET AND EXTEND UP 12". USE FITTINGS AS REQUIRED. PROVIDE SCREENED, DOWNWARD-FACING ELBOW AND PIPE.

AIR RELEASE VALVE AS APPROVED BY THE TOWN.

PLACE 4"x8"x16" SOLID BLOCK, MANUFACTURED IN CONFORMANCE WITH ASTM C-139, RADIALLY (8 MIN.), OR POUR 12"x8" CONCRETE RING FOOTING TO SUPPORT CHAMBER, BUT LEAVE OPENING BELOW PIPE. FILL SPACE INSIDE RING WITH VDOT NO. 57 STONE FOR DRAINAGE.



ENGINEERING DEPARTMENT
 100 EAST MAIN STREET
 CHRISTIANSBURG, VA 24073
 (540) 382-6120 PHONE
 (540) 381-7238 FAX
 engineering@christiansburg.org

PRECAST CHAMBER FOR AIR RELEASE VALVE (WATER)

DATE: 11 AUG 2014
 SCALE: N.T.S
 DETAIL NO. AR-1