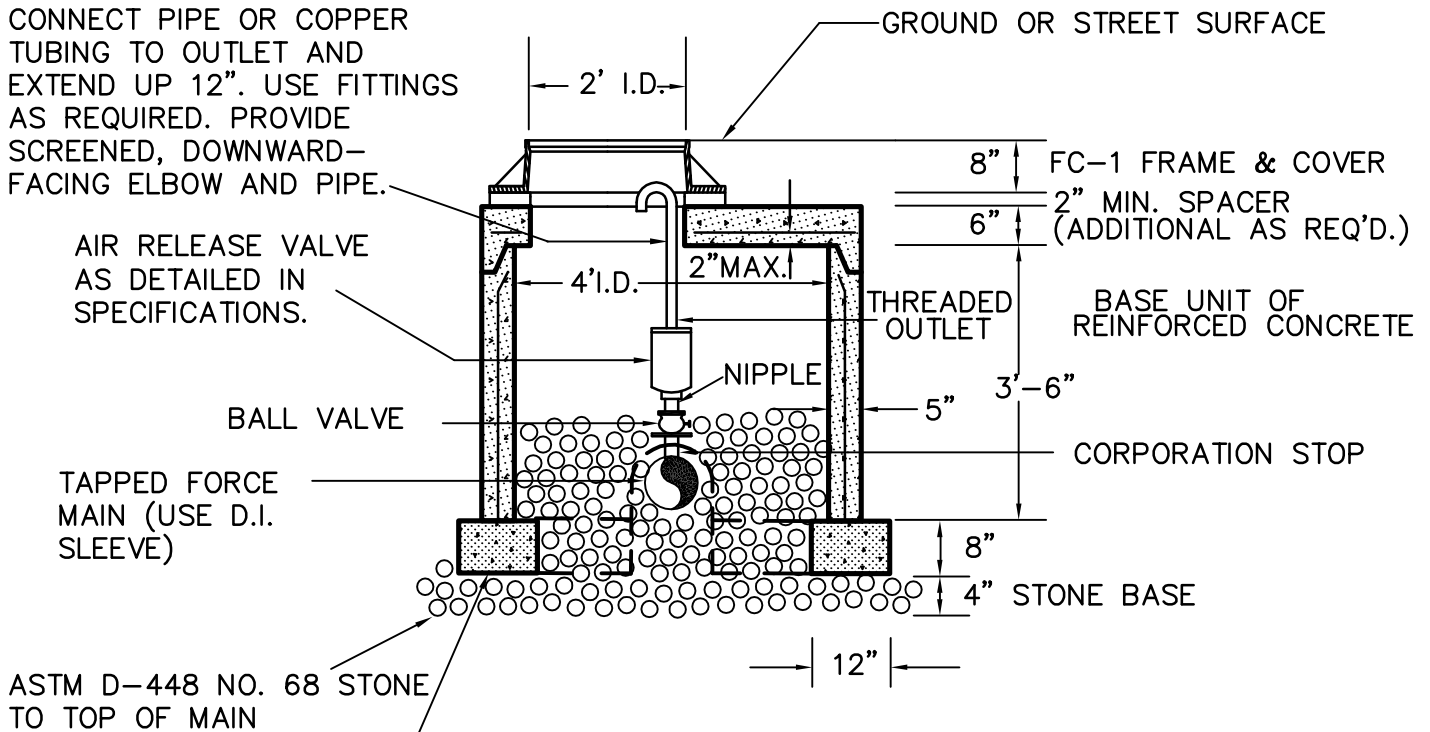


NOTE: MATERIALS AND FABRICATION IN ACCORDANCE WITH MH-1 MANHOLE.
 SIZE OF AIR RELEASE VALVE AS SPECIFIED.
 WHERE NOTED ON PLANS, USE STANDARD METER BOX AS CHAMBER AND
 SUPPORT WITH TWO (2) COURSES OF BRICK.



PLACE 8"x8"x12" CONCRETE BLOCK, ASTM C-139, RADIALLY (8 MIN.), OR POUR 12"x8" CONCRETE RING FOOTING TO SUPPORT CHAMBER, BUT LEAVE OPENING BELOW PIPE. FILL SPACE INSIDE RING WITH ASTM D-448 NO. 68 STONE FOR DRAINAGE. ELIMINATE CONCRETE FOOTING IF SOLID ROCK IS ENCOUNTERED.



ENGINEERING DEPARTMENT
 100 EAST MAIN STREET
 CHRISTIANSBURG, VA 24073
 (540) 382-6120 PHONE
 (540) 381-7238 FAX
 engineering@christiansburg.org

PRECAST CHAMBER FOR
 AIR RELEASE VALVE
 (SEWER)

DATE: 01 NOV 2004

SCALE: N.T.S.

DETAIL NO.

AR-3