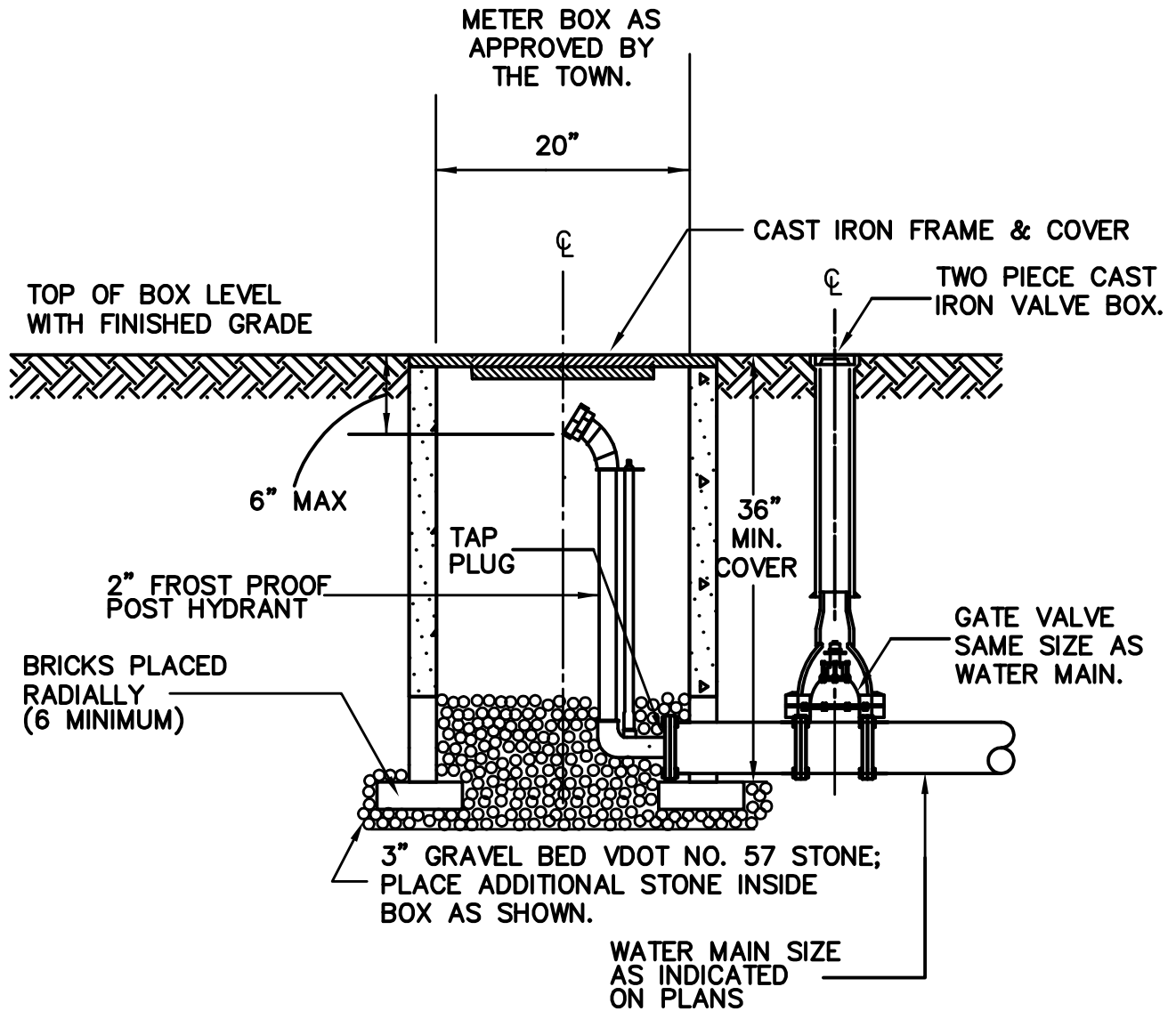


**NOTE:** VALVE AND PLUG SHALL BE MECHANICALLY RESTRAINED IN ACCORDANCE WITH DETAIL CA-4. THE TOWN WILL FIELD LOCATE EACH BLOW OFF THAT MAY BE AFFECTED BY SEASONAL HIGH GROUNDWATER OR SUFACE WATER. EACH WEEP HOLE SUBJECT TO CONTAMINATION WILL BE SEALED, THE BLOW OFF MARKED, AND THE BLOW OFF LOCATION MAPPED FOR MANUAL DEWATERING.



ENGINEERING  
DEPARTMENT  
100 EAST MAIN STREET  
CHRISTIANSBURG, VA 24073  
(540) 382-6120 PHONE  
(540) 381-7238 FAX  
engineering@christiansburg.org

BLOW-OFF  
ASSEMBLY

DATE: 11 AUG 2014

SCALE: N.T.S.

DETAIL NO.

BO-I