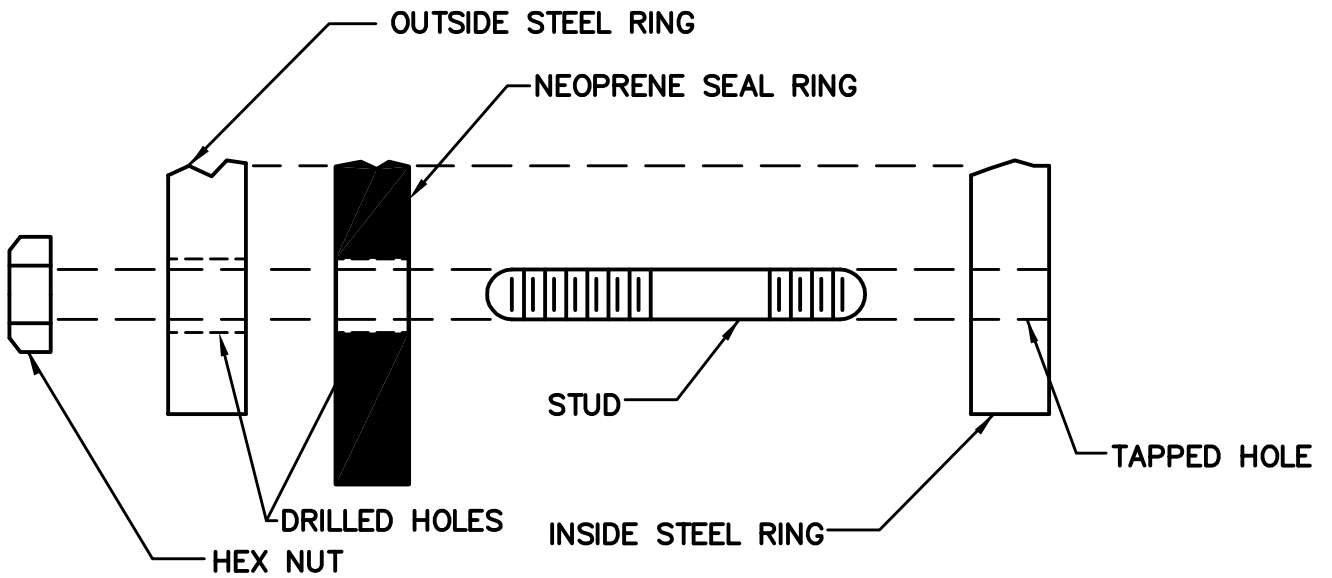


CASING SEAL DETAIL



EXPLODED DETAIL



ENGINEERING
DEPARTMENT
100 EAST MAIN STREET
CHRISTIANSBURG, VA 24073
(540) 382-6120 PHONE
(540) 381-7238 FAX
engineering@christiansburg.org

NEOPRENE SEALED
CASING INTALLATION
(2 OF 2)

DATE: 11 AUG 2014

SCALE: N.T.S.

DETAIL NO.

CS-3B