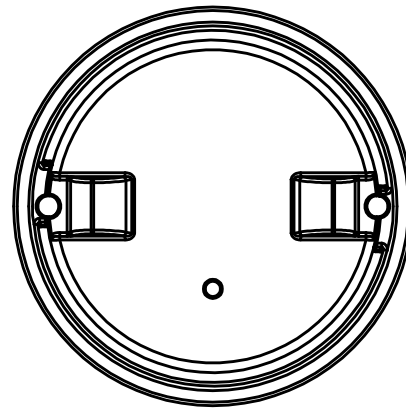
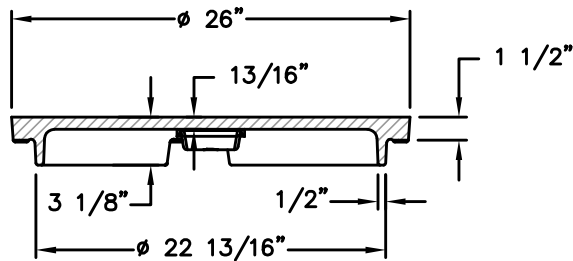


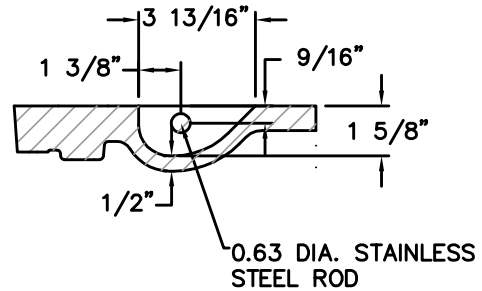
PLAN VIEW



BOTTOM VIEW

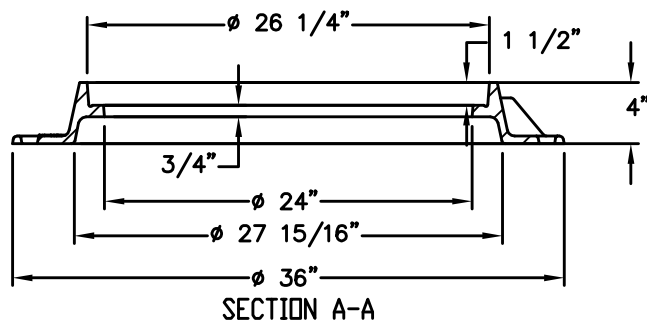


SECTION VIEW

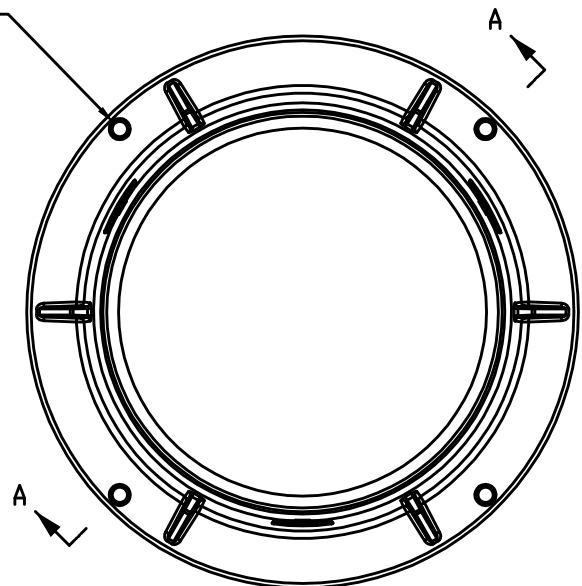


PICKBAR DETAIL

(4) 1" HOLES EQUALLY SPACED ON A ϕ 33 3/4" BOLT CIRCLE



SECTION A-A



ENGINEERING
DEPARTMENT
100 EAST MAIN STREET
CHRISTIANSBURG, VA 24073
(540) 382-6120 PHONE
(540) 381-7238 FAX
enr@christiansburg.org

SANITARY SEWER
MANHOLE STANDARD
FRAME AND COVER

DATE: 17 JUNE 2014

SCALE: N.T.S.

DETAIL NO.

FC-1