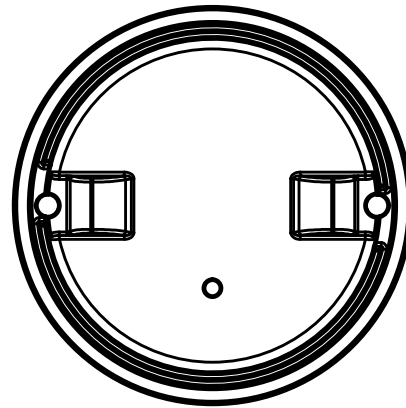
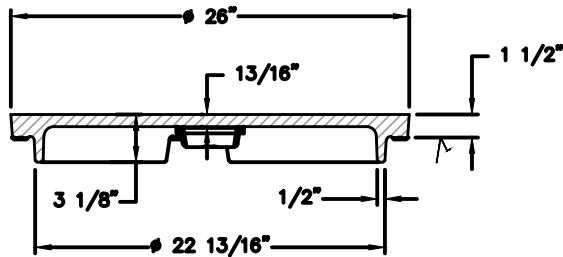


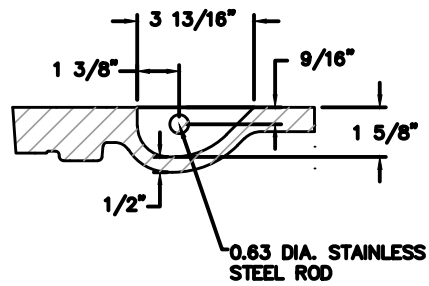
PLAN VIEW



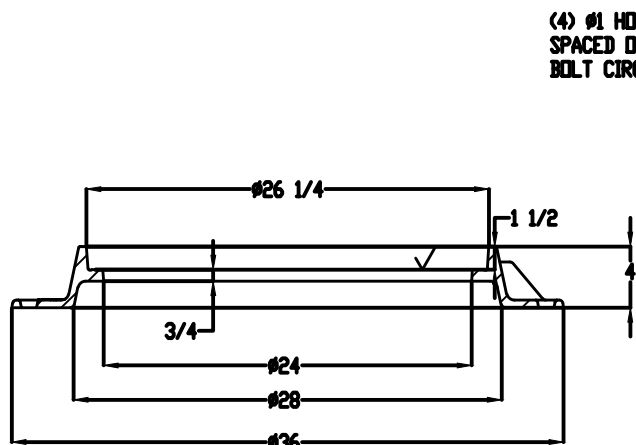
BOTTOM VIEW



SECTION VIEW

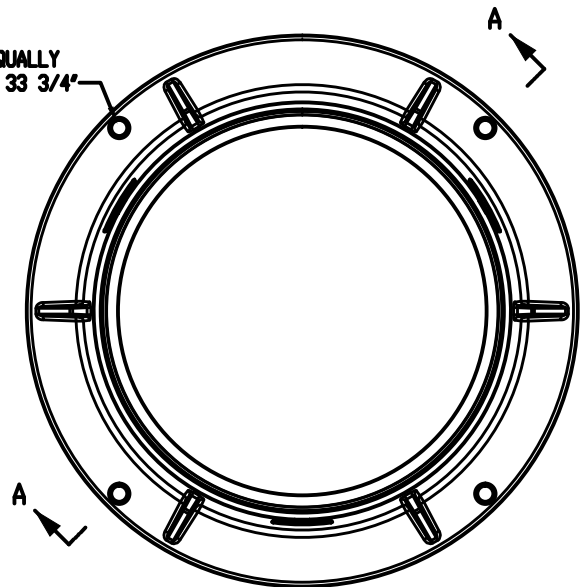


PICKBAR DETAIL



SECTION A-A

(4) Ø1 HOLES EQUALLY SPACED ON A Ø 33 3/4" BOLT CIRCLE



ENGINEERING
DEPARTMENT
100 EAST MAIN STREET
CHRISTIANSBURG, VA 24073
(540) 382-6120 PHONE
(540) 381-7238 FAX
engineering@christiansburg.org

WATER MANHOLE
FRAME AND COVER

DATE: 11 AUG 2014

SCALE: N.T.S.

DETAIL NO.

FC-5