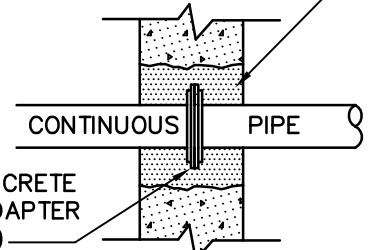


**PLAN**

FILL ALL JOINTS WITH NEAT PORTLAND CEMENT AND APPLY MASTIC SEALER



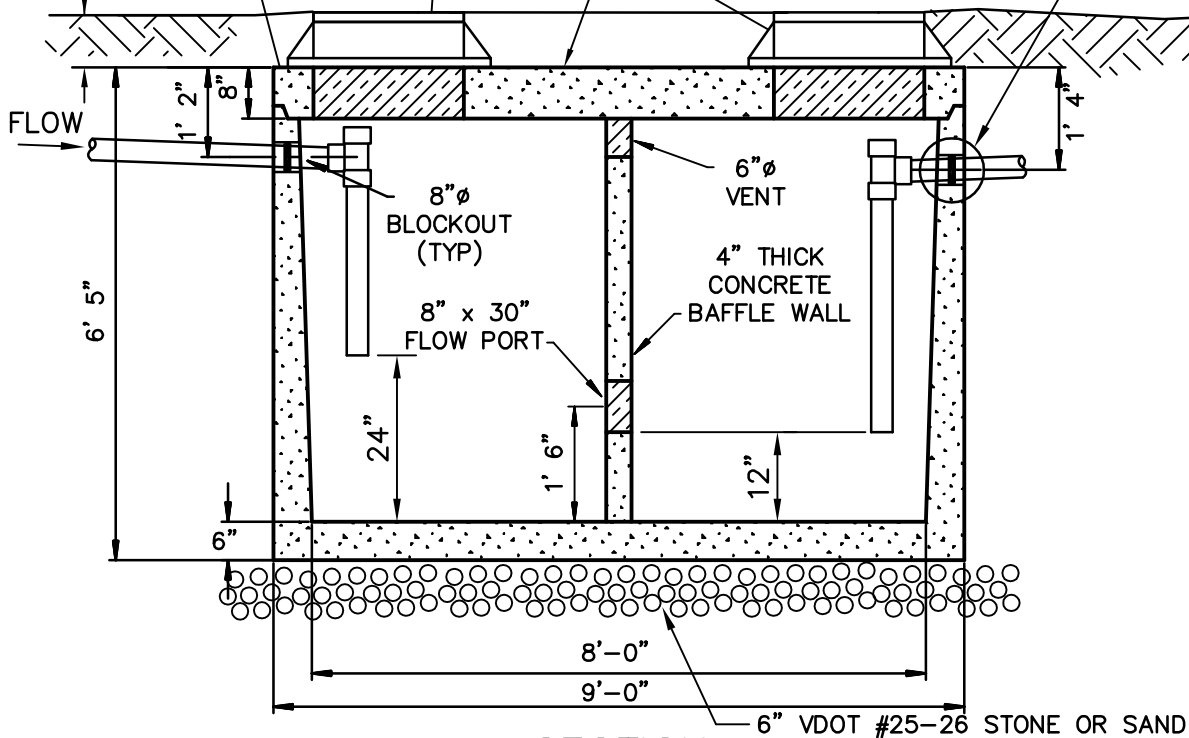
**DETAIL (TYPICAL)**

STANDARD FC-1 FRAMES AND COVERS. USE PRECAST RISER RINGS TO ADJUST TO GRADE. SEAL CASTING & RISERS TO TANK WITH BUTYL RUBBER.

VAULT REINFORCED FOR H2O LOAD RATING VARIABLE DEPTH (8" MIN.)

5,000 PSI REINFORCED CONCRETE

FERNCO CONCRETE MANHOLE ADAPTER (OR SIMILAR)



**SECTION**

**NOTES:**

1. ALL PIPE SIZES SHALL MATCH INLET/OUTLET NOMINAL PIPE SIZES.
2. SET INLET INVERT 3" ± 0.5" ABOVE OUTLET INVERT.
3. PIPE & FITTINGS SHALL BE SOLVENT WELD SCH. 40 PVC UNLESS SHOWN OTHERWISE ON PLANS.
4. GREASE TRAPS SHALL BE DESIGNED AND CONSTRUCTED FOR H-20 LOAD RATING.



ENGINEERING DEPARTMENT  
100 EAST MAIN STREET  
CHRISTIANSBURG, VA 24073  
(540) 382-6120 PHONE  
(540) 381-7238 FAX  
engineering@christiansburg.org

1000 GALLON H-20 LOAD RATED  
GREASE TRAP

DATE: 01 NOV 2004

SCALE: N.T.S.

DETAIL NO.

**GT-3**