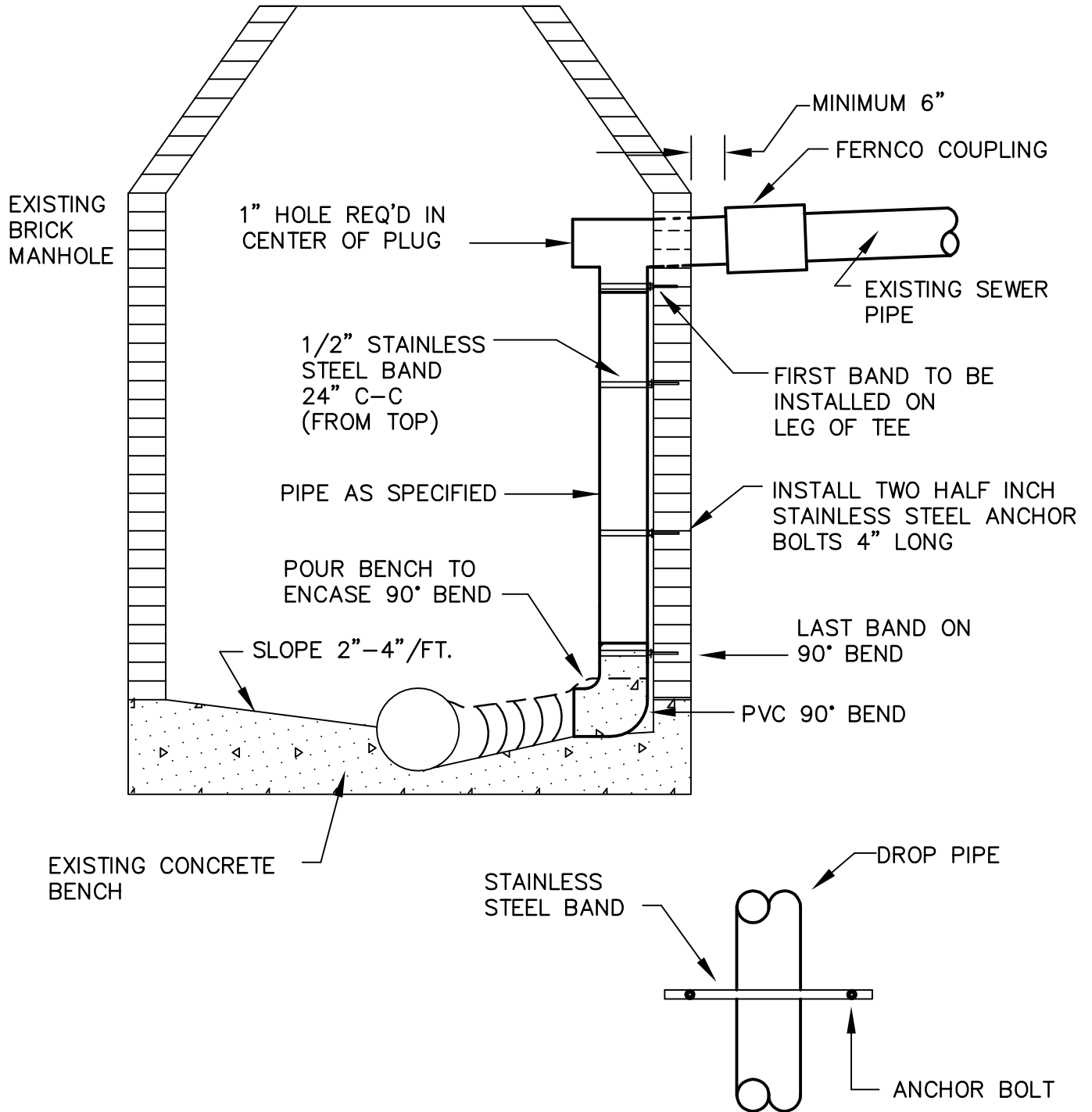


IF NEW DROP PIPE OBSTRUCTS EXISTING STEPS, STEPS SHALL BE REMOVED AND NEW STEPS INSTALLED TO STEP INSTALLATION SPECIFICATIONS.



ENGINEERING
DEPARTMENT
100 EAST MAIN STREET
CHRISTIANSBURG, VA 24073
(540) 382-6120 PHONE
(540) 381-7238 FAX
engineering@christiansburg.org

SANITARY SEWER DROP PIPE
FOR MANHOLE REHABILITATION

DATE: 01 NOV 2004

SCALE: N.T.S.

DETAIL NO.

MH-4