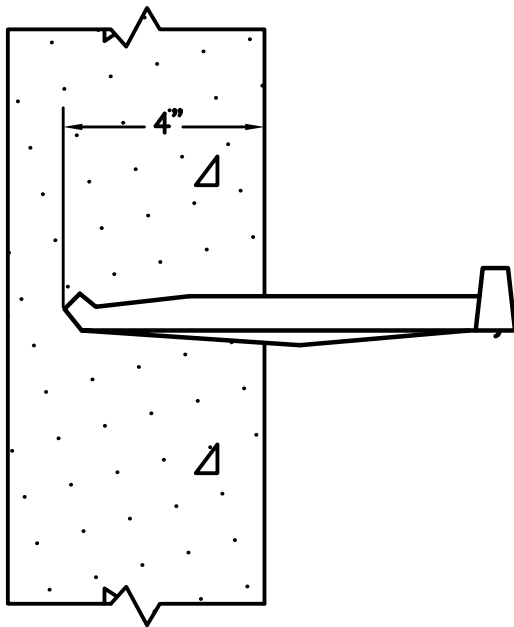


SECTION A-A



MATERIALS:

POLYPROPYLENE PLASTIC – GRADE 10-1014 "AMISUN CORP."

STEEL REINFORCING BAR – CONFORMS TO A.S.T.M. STD A-615

STEPS SHALL BE POURED INTEGRALLY WITH THE MANHOLE SECTION AND NOT MORTARED OR GROUTED LATER



ENGINEERING DEPARTMENT
 100 EAST MAIN STREET
 CHRISTIANSBURG, VA 24073
 (540) 382-6120 PHONE
 (540) 381-7238 FAX
 engineering@christiansburg.org

STANDARD MANHOLE STEP

DATE: 11 AUG 2014

SCALE: N.T.S.

DETAIL NO.

MS-I