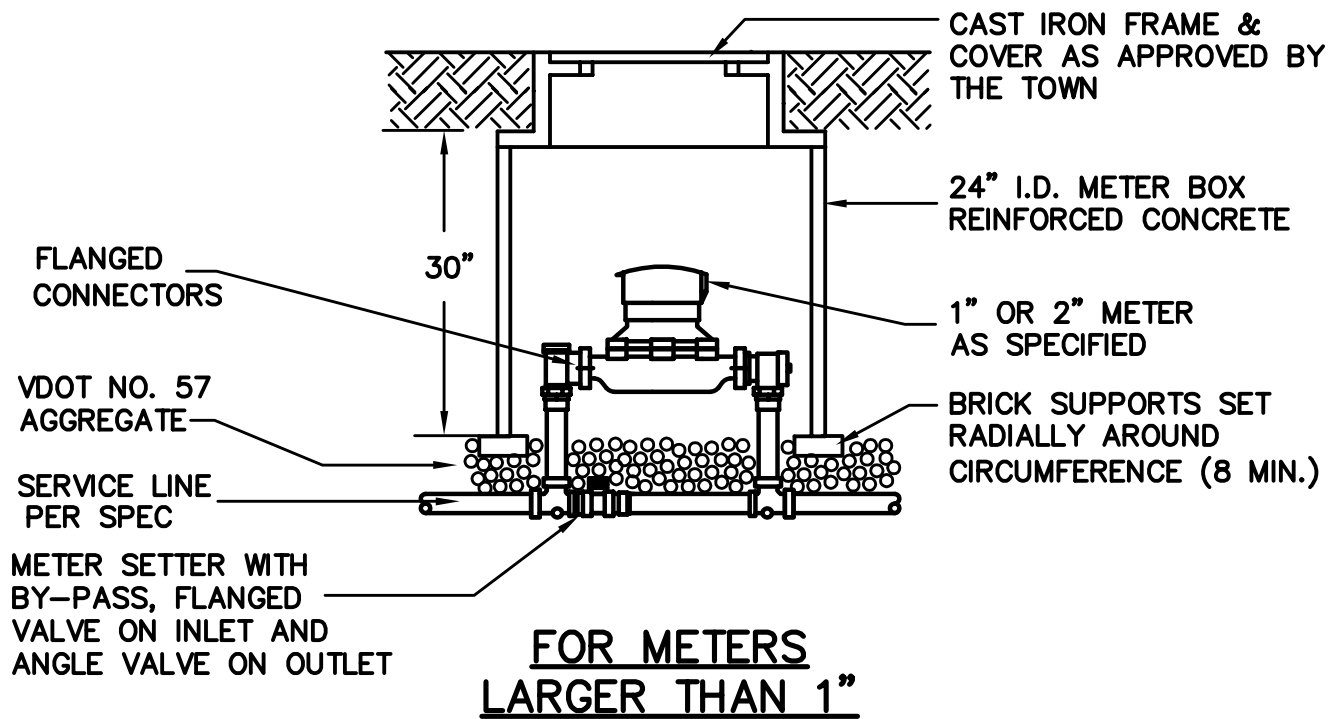


**FOR 1" METERS**



**FOR METERS LARGER THAN 1"**

**NOTES:**

1. CENTERLINE OF METER CONNECTIONS NOT MORE THAN 24" OR LESS THAN 20" FROM TOP OF BOX
2. MINIMUM DEPTH TO SERVICE LINE IS 36"
3. DO NOT INSTALL BRICKS OVER WATER LINE



ENGINEERING DEPARTMENT  
 100 EAST MAIN STREET  
 CHRISTIANSBURG, VA 24073  
 (540) 382-6120 PHONE  
 (540) 381-7238 FAX  
 engineering@christiansburg.org

WATER METER INSTALLATION  
 (FOR 1" TO 2" METERS)

DATE: 11 AUG 2014  
 SCALE: N.T.S.  
 DETAIL NO.  
**SC-3**